

Table Lab

Transform a meeting table into a sensory analysis laboratory



Table Lab

Adapt your furniture to your needs

DESCRIPTION

A meeting table designed so as to be turned into a table for sensory testing (taste, sniffing, sight ...).

THE STRENGTHS

- + Possibility of integrating a three-lights kit
3 different types of light: daylight, indoor light and red
- + Model available in four or eight seats
- + Assembly time : 2 minutes (4 seat model)



#Sensory analysis table

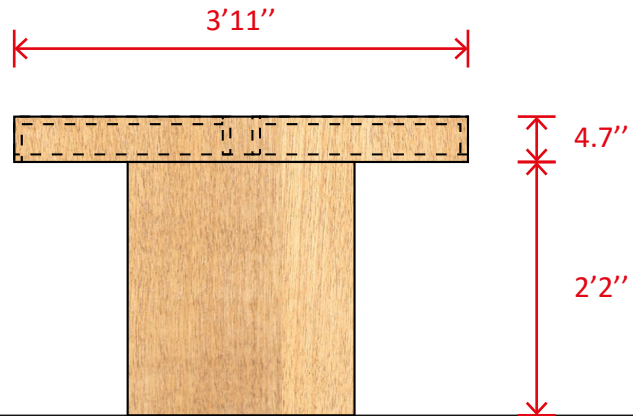


Table Lab

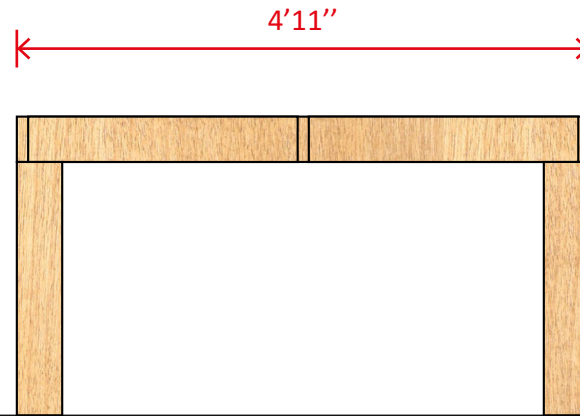
Equipment provided with the table



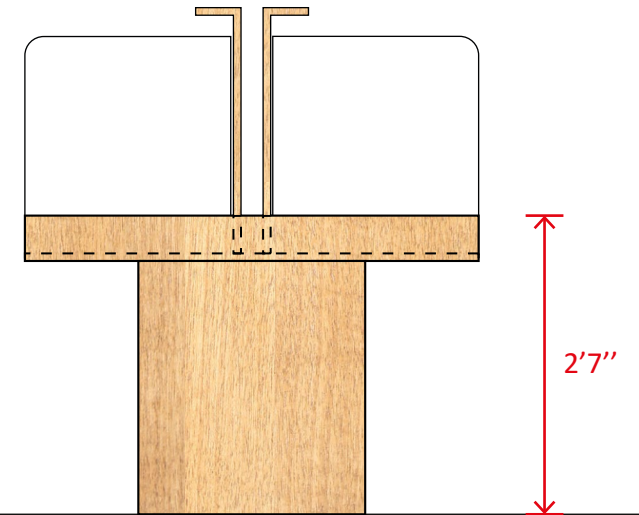
SIDE
Meeting mode



FRONT
Meeting mode



SIDE
Test mode



TOP
Meeting mode

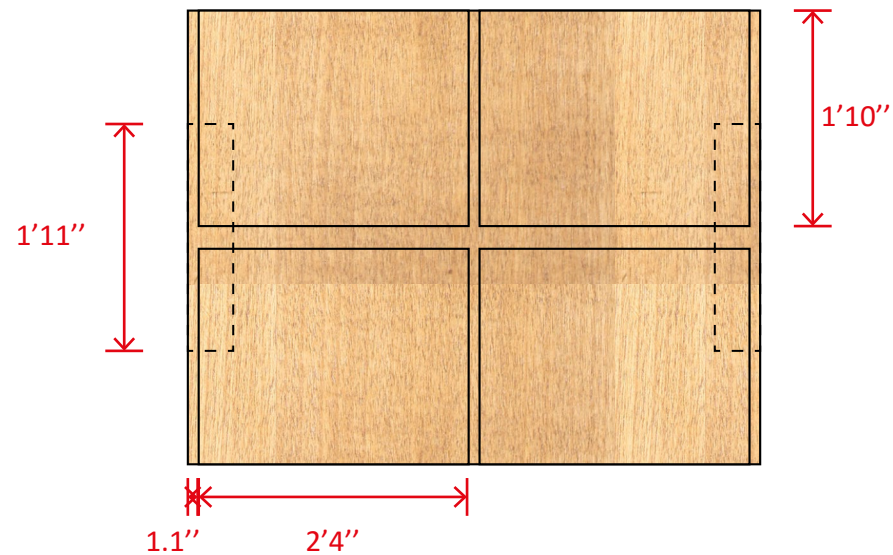
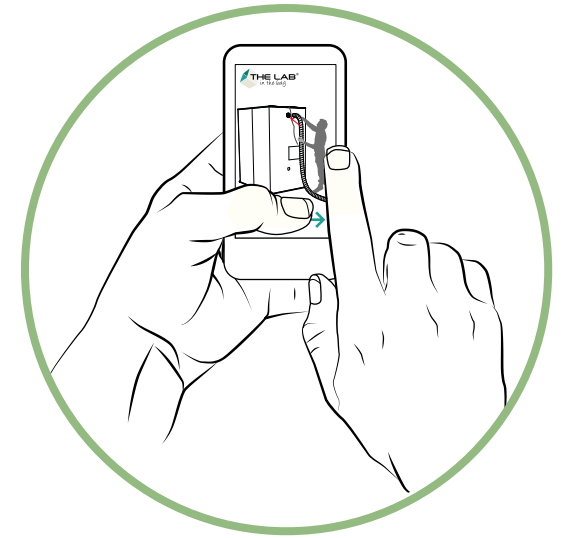


Table Lab

Dimensions



Ease of use • Ease of transport • Neutral colours
High-performance materials • No lingering odours



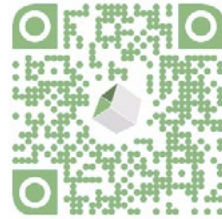
INSTALLATION INSTRUCTIONS

OUR STRENGTHS

The whole range of sensory analysis booths are completely modular and mobile adapted to your study protocols.

Our design teams can help you customize our products (size, accessories, colours, etc.) to meet your protocols, where you test currently or plan to,, your new ideas ...





More information on our website

thelabinthebag.com



The Lab in the Bag® - Research and Development of sensory analysis tools
Repères, 20 rue Bouvier, 75011 Paris - France // + 33 (0) 1.60.96.87.83 // www.thelabinthebag.com // contact@thelabinthebag.com

